

Grow-with-Me

Crib Conversion Kits

by CCKITS®

STOP

**MISSING PARTS, HARDWARE,
OR DAMAGED PRODUCT?**

**PARTS ARE AVAILABLE & CAN BE EXPEDITED IF
NEEDED AT NO COST TO YOU**

DO NOT RETURN YOUR PRODUCT

**TWO CONVENIENT WAYS TO CONTACT US:
EMAIL: SALES@CRIBCONVERSIONKITS.COM
TEXT ONLY: (844) 384-7741**

STOP

ASSEMBLY INSTRUCTIONS

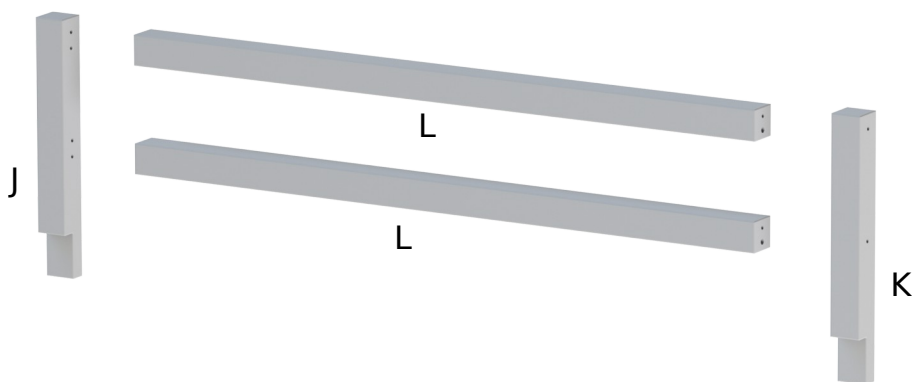
SAFETY RAILS

TOOLS NEEDED FOR ASSEMBLY



CAUTION: POWER TOOLS ARE NOT RECOMMENDED, AS THEY CAN CAUSE THE WOOD TO SPLIT.

PARTS ENCLOSED



SAFETY RAIL PARTS (4)



A17. SCREWS (4)



A19. SCREWS (4)



B1. BOLTS (4)



C3. WOODEN DOWEL (4)



H1. RUBBER INSERT
AT 4 MM THICK (2)



D5. METAL BRACKET (2)

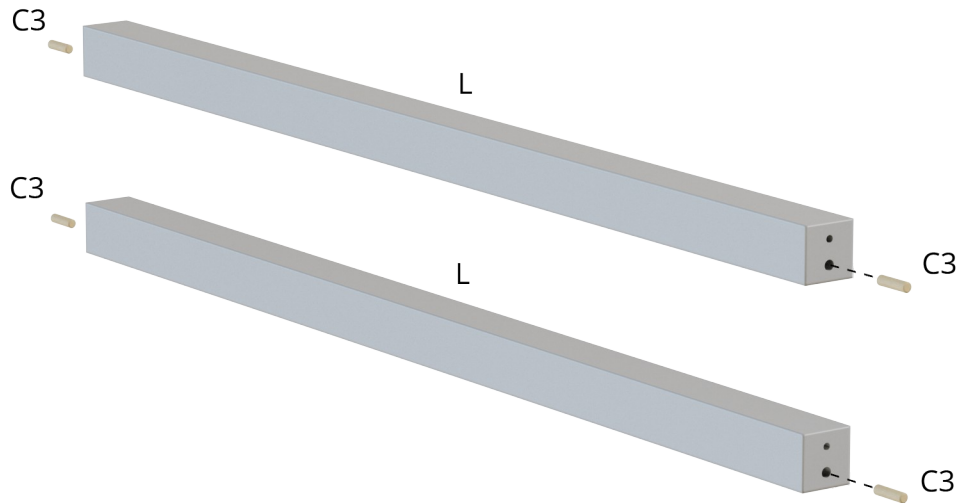


G3. ALLEN WRENCH

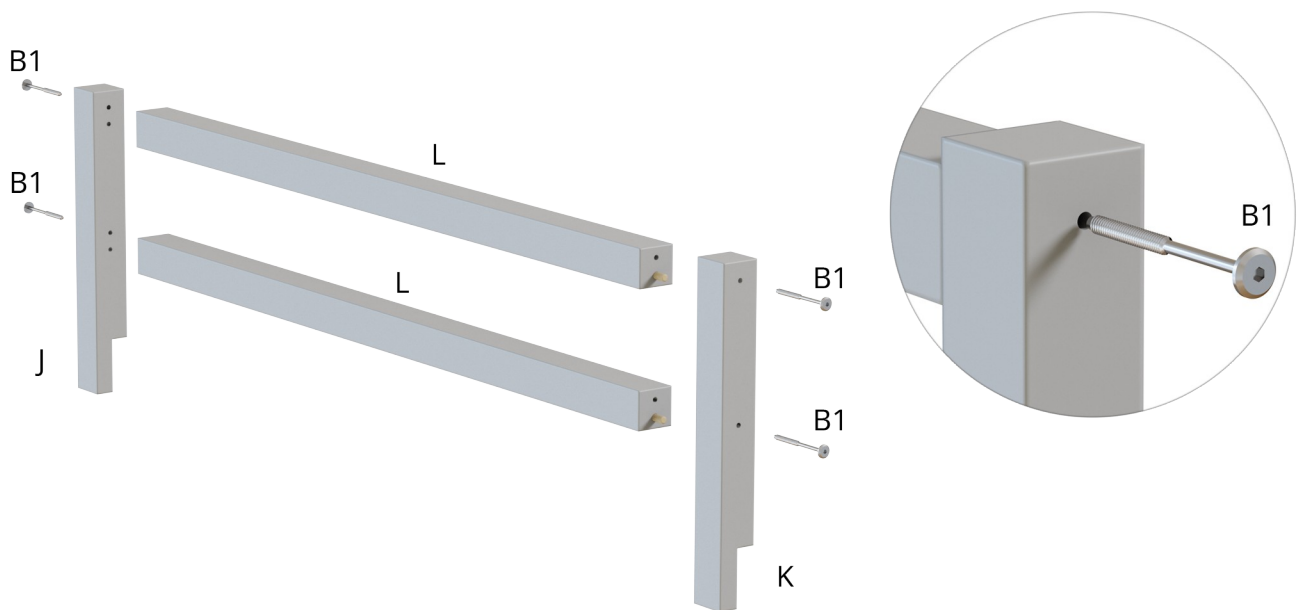


H1. RUBBER INSERT
AT 3 MM THICK (2)

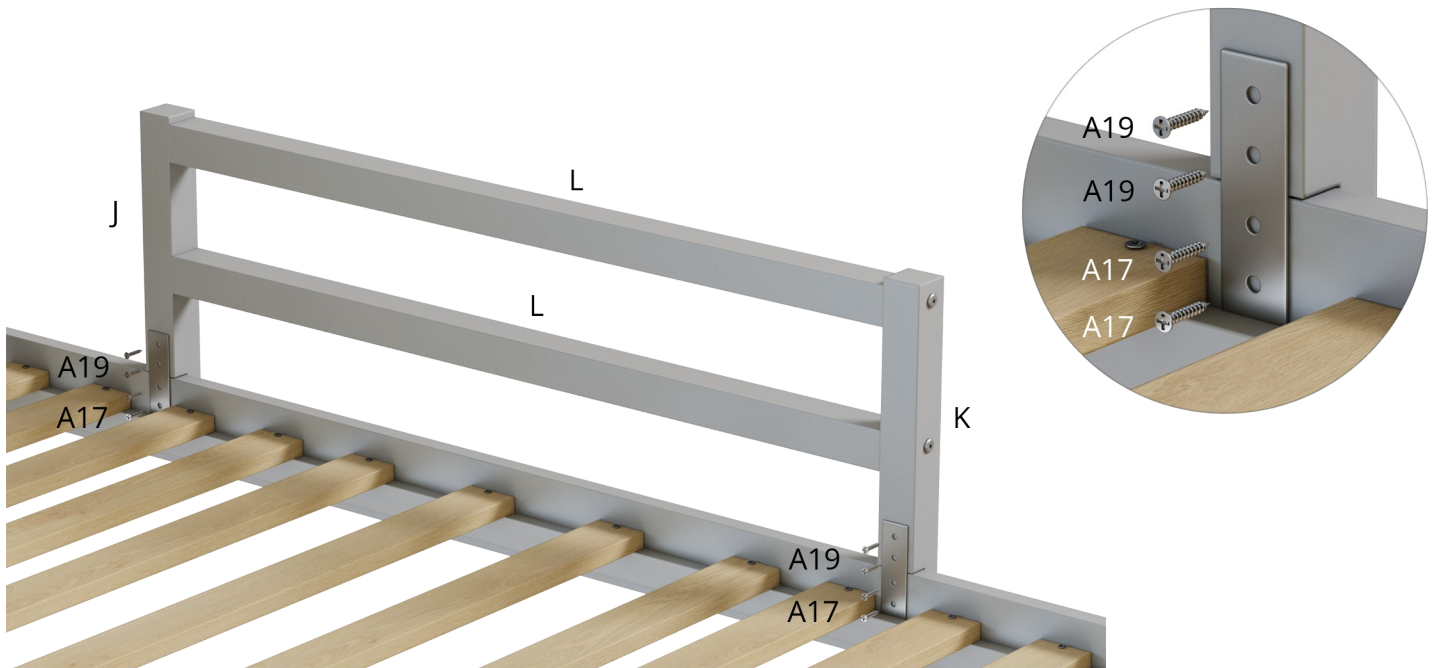
STEP 1. INSERT WOODEN DOWELS (C3) INTO BOTH ENDS OF EACH CROSSBAR (L), AS SHOWN.



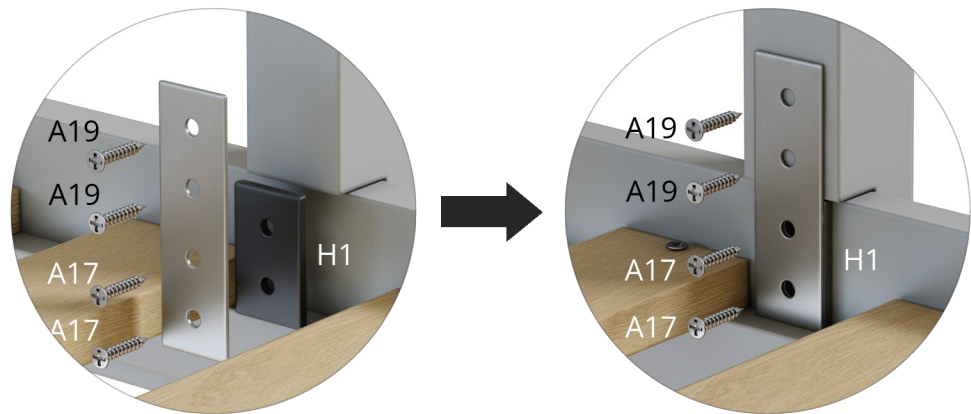
STEP 2. ATTACH SIDE BARS (J & K) TO THE CROSSBARS (L) USING BOLTS (B1), AS SHOWN.



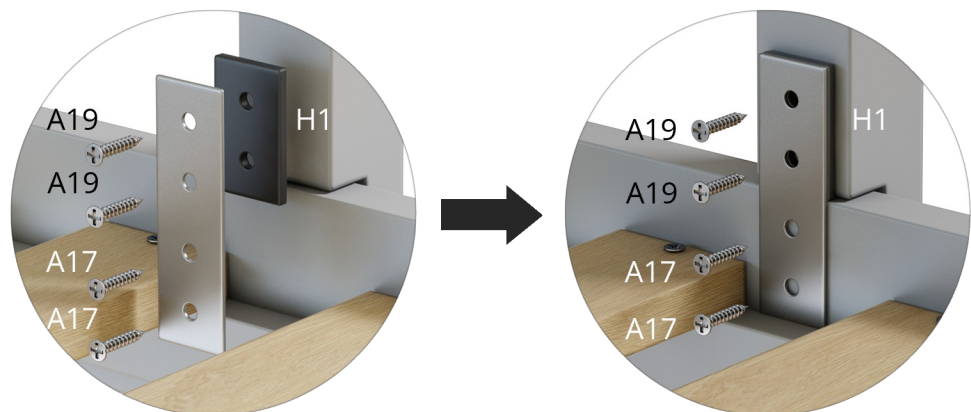
STEP 3. DETERMINE THE THICKNESS OF YOUR BED RAIL. IF YOUR BED RAIL IS 1.0 IN (25 MM) THICK, NO RUBBER INSERT IS REQUIRED. ATTACH THE METAL BRACKET TO THE SIDE BARS.



IF YOUR BED RAIL IS LESS THAN 1.0 IN (25MM) THICK, ATTACH A RUBBER INSERT OR TWO (AS NEEDED) TO THE BOTTOM OF THE METAL BRACKET, AS SHOWN.



IF YOUR BED RAIL IS MORE THAN 1.0 IN (25MM) THICK, ATTACH A RUBBER INSERT OR TWO (AS NEEDED) TO THE TOP OF THE METAL BRACKET BEFORE ATTACHING IT TO THE SIDE BARS.



ABOUT US

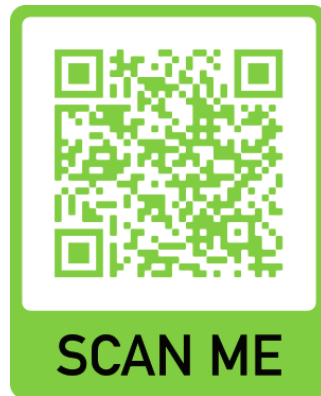
In 2015, while searching for a conversion kit to turn our son's crib into a full-size bed, we ran into a frustrating problem - the crib had been discontinued, and the conversion kit was nearly impossible to find. When we finally did locate one, we were shocked by the poor quality. It was made from plywood, and we simply didn't feel comfortable letting our son sleep on it. After talking with other parents, we realized we weren't alone. Many families had invested significant money in quality cribs and matching furniture, only to discover that safe, durable conversion kits were either unavailable or poorly made. That's when we decided something had to change. We set out to create crib conversion kits that parents could truly trust - kits made from 100% solid wood, designed to last, and crafted with the same care you expect for your child's safety and comfort. Our goal was simple: make it easy for parents to extend the life of their child's crib without compromising on quality. And that's how Grow-with-Me Crib Conversion Kits was born.



LEAVE US A REVIEW

I am so pleased with this product. I was amazed at the quality of the safety rails. Thank you, Crib Conversion Kits!

ALEC



THANK YOU FOR YOUR PURCHASE! WE HOPE YOU LOVE IT.
IF YOU WOULD, PLEASE TAKE 60 SECONDS TO POST A REVIEW.
YOUR FEEDBACK HELPS US CONTINUE PROVIDING GREAT PRODUCTS AND
HELPS POTENTIAL BUYERS MAKE CONFIDENT DECISIONS.
WE KNOW LIFE IS BUSY, AND WE THANK YOU IN ADVANCE FOR YOUR REVIEW.