

# Grow-with-Me

## Crib Conversion Kits

FOR THIS CONVERSION KIT - ADDITIONAL SLATS, A BOX SPRING OR BUNKIE BOARD (SOLD SEPARATELY) **MUST** BE USED UNDER THE MATTRESS IN ORDER TO PROVIDE ADEQUATE SUPPORT.  
**SEE AVAILABLE ADD-ONS BELOW.**



THE PRODUCT IMAGES SHOWN ARE FOR ILLUSTRATION PURPOSES ONLY AND MAY NOT BE AN EXACT REPRESENTATION OF YOUR CRIB.

IMPORTANT INFORMATION:  
READ ALL INSTRUCTIONS BEFORE ASSEMBLING BED.  
KEEP INSTRUCTIONS FOR FUTURE USE.

# ASSEMBLY INSTRUCTIONS

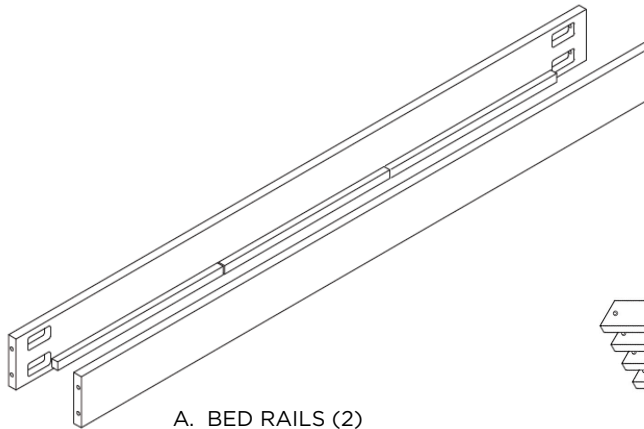
## CONVERSION KIT

### TOOLS NEEDED FOR ASSEMBLY

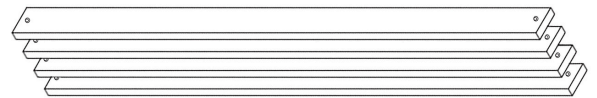


CAUTION: POWER TOOLS ARE NOT RECOMMENDED, AS THEY CAN CAUSE THE WOOD TO SPLIT.

### PARTS ENCLOSED

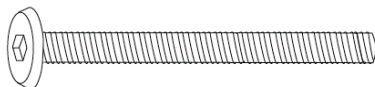


A. BED RAILS (2)

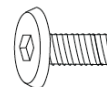


C. SLATS (4)

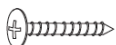
### HARDWARE



H1. 2-1/2" BOLTS (8)



H2. 2/3" BOLTS (4)



H3. WOOD SCREWS (8)



H4. WASHERS (8)



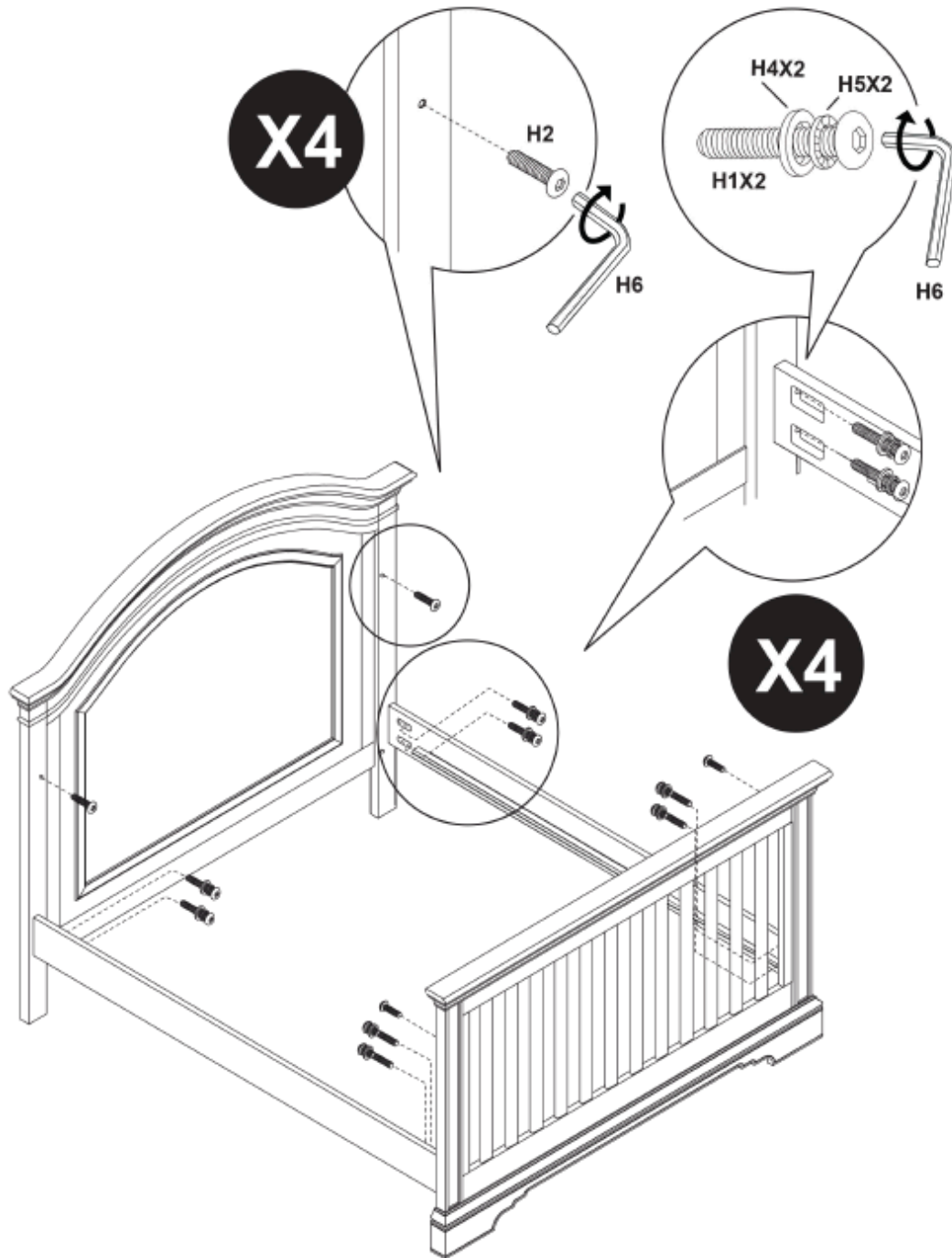
H5. LOCK WASHERS (8)



H6. ALLEN WRENCH

STEP 1. DISASSEMBLE THE CRIB COMPLETELY USING THE CRIB INSTRUCTION SHEET. KEEP ALL BOLTS AND MATTRESS SUPPORT IN A SAFE PLACE FOR FUTURE USE.

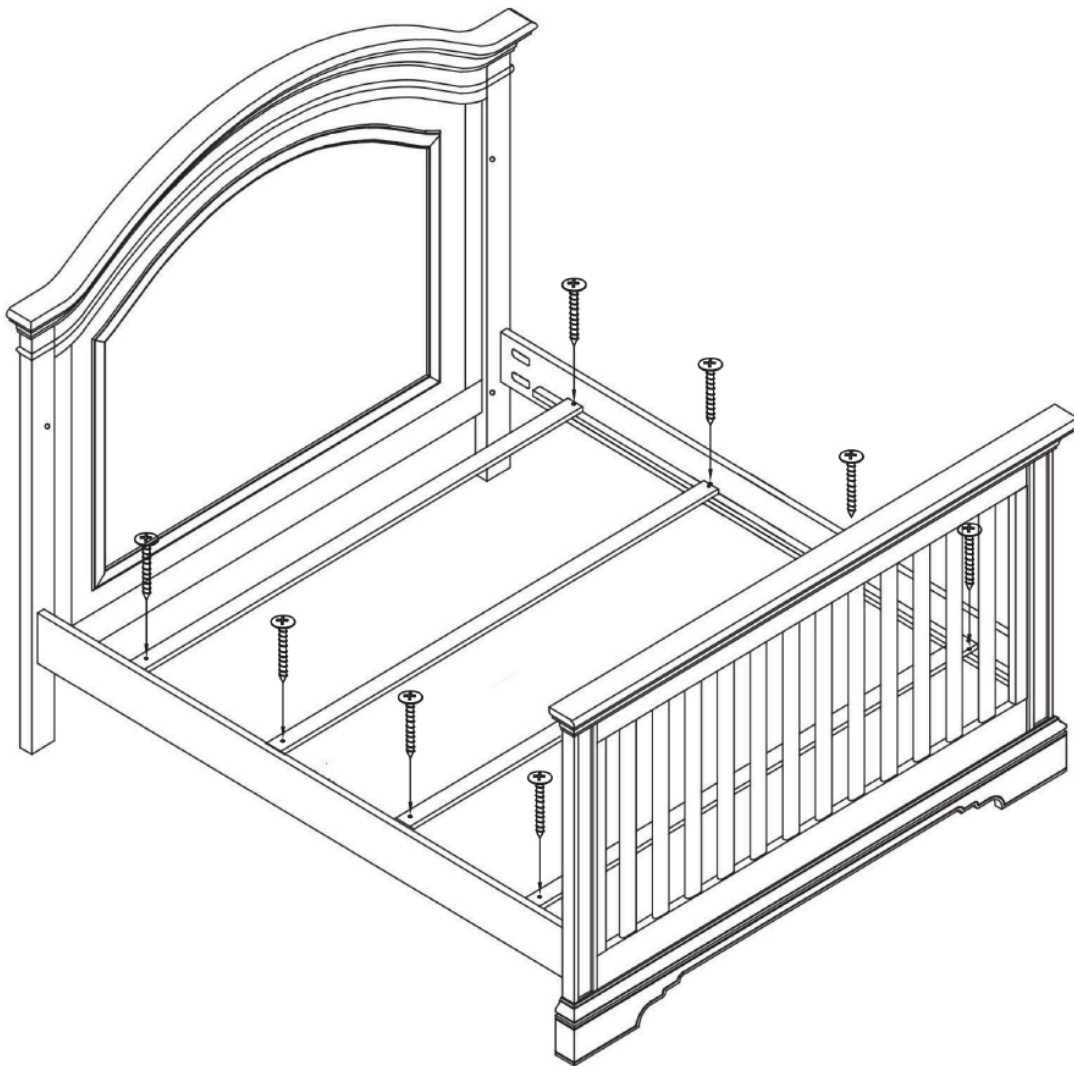
STEP 2. ATTACH BED RAILS TO HEADBOARD AND FOOTBOARD USING PARTS H1, H4 & H5.  
USE H2 BOLTS PROVIDED TO PLUG HOLES IN HEADBOARD AND FOOTBOARD.



STEP 4. ATTACH THE 4 SUPPORT SLATS USING THE 8 SCREWS PROVIDED USING A PHILLIPS SCREWDRIVER.

IT IS RECOMMENDED TO PLACE ONE SLAT NEAR THE HEADBOARD, ONE NEAR THE FOOTBOARD, AND SPACE THE OTHERS EVENLY IN BETWEEN.

STEP 5. TIGHTEN ALL BOLTS AND SCREWS BEFORE USING THE BED.

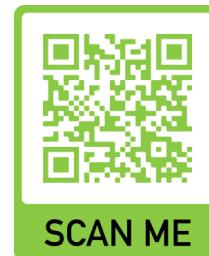
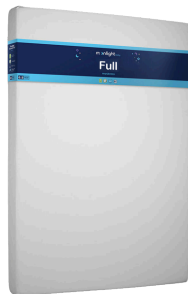


# AVAILABLE ADD-ONS



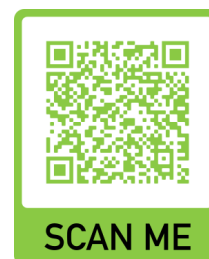
## ADDITIONAL SLATS

- USE YOUR CAMERA TO SCAN THE QR CODE TO PURCHASE AN ADDITIONAL SET OF SLATS.
  - SAVE MONEY BY USING SLATS INSTEAD OF A BOX SPRING.
  - WILL NOT RAISE THE HEIGHT OF YOUR LITTLE ONE'S BED.
- 



## FULL SIZE MATTRESS

- USE YOUR CAMERA TO SCAN THE QR CODE TO PURCHASE A FULL SIZE MATTRESS.
  - BY THE CREATORS OF MOONLIGHT SLUMBER MATTRESSES.
  - TOPPED WITH A MEDICAL-GRADE COVER THAT DELIVERS WATERPROOF, ANTI-MICROBIAL, HYPOALLERGENIC, ODOR, AND STAIN-RESISTANT PROPERTIES.
- 



## SAFETY RAIL

- USE YOUR CAMERA TO SCAN THE QR CODE TO PURCHASE A SAFETY RAIL.
- ADDED PROTECTION FOR PEACE OF MIND.
- MAKES IT EASY TO CLIMB IN AND OUT OF BED, WHILE KEEPING YOUR CHILDREN FROM ROLLING OUT OF THE BED WHILE THEY SLEEP.

# ABOUT US

In 2015, while looking for a conversion kit for our son's crib, we discovered that his crib had been discontinued. It was nearly impossible to locate the conversion kit in order to convert his crib to a full size bed. After speaking with many parents, we realized we were not the only ones with this problem. We had spent so much money on his crib (and matching furniture) in hopes of converting it one day. When we did eventually find a kit, we discovered that the kit was poor quality and made from PLYWOOD. Really? We did not feel comfortable allowing our son to sleep on his new bed. So we vowed to make it easier for other parents by providing our customers with quality conversion kits made of 100% SOLID WOOD! Hence, Grow-with-Me Crib Conversion Kits was born.



---

## LEAVE US A REVIEW

I am so pleased with this product. I was amazed at the quality of the bed. Thank you, Crib Conversion Kits!

ALEC



THANK YOU FOR YOUR PURCHASE. WE HOPE YOU LOVE IT! IF YOU DO, WOULD YOU MIND TAKING 60 SECONDS TO POST A REVIEW? THIS HELPS US TO CONTINUE PROVIDING GREAT PRODUCTS AND HELPS POTENTIAL BUYERS MAKE CONFIDENT DECISIONS. WE KNOW LIFE IS BUSY, AND WE THANK YOU IN ADVANCE FOR YOUR REVIEW.